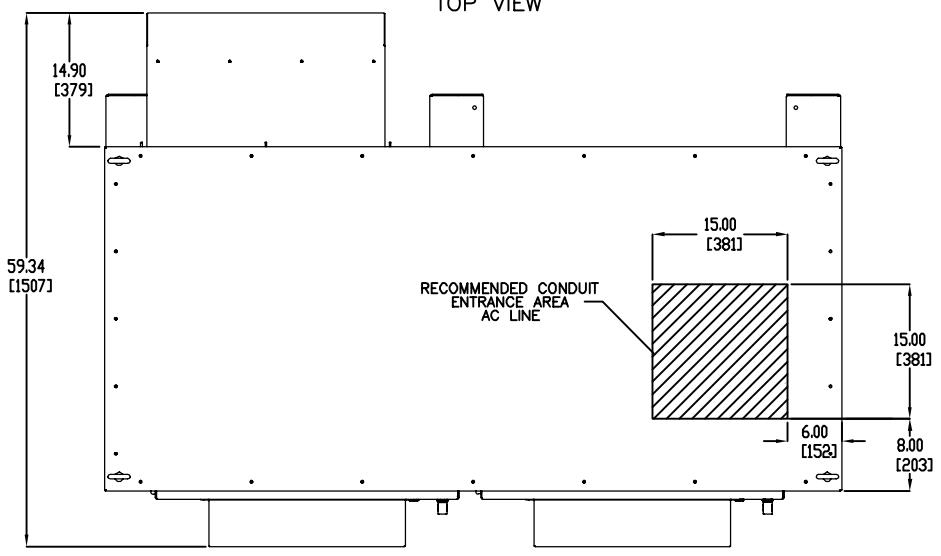


1 2 3 4 5 6 7 8 9 10 11 12 13 14 15 16

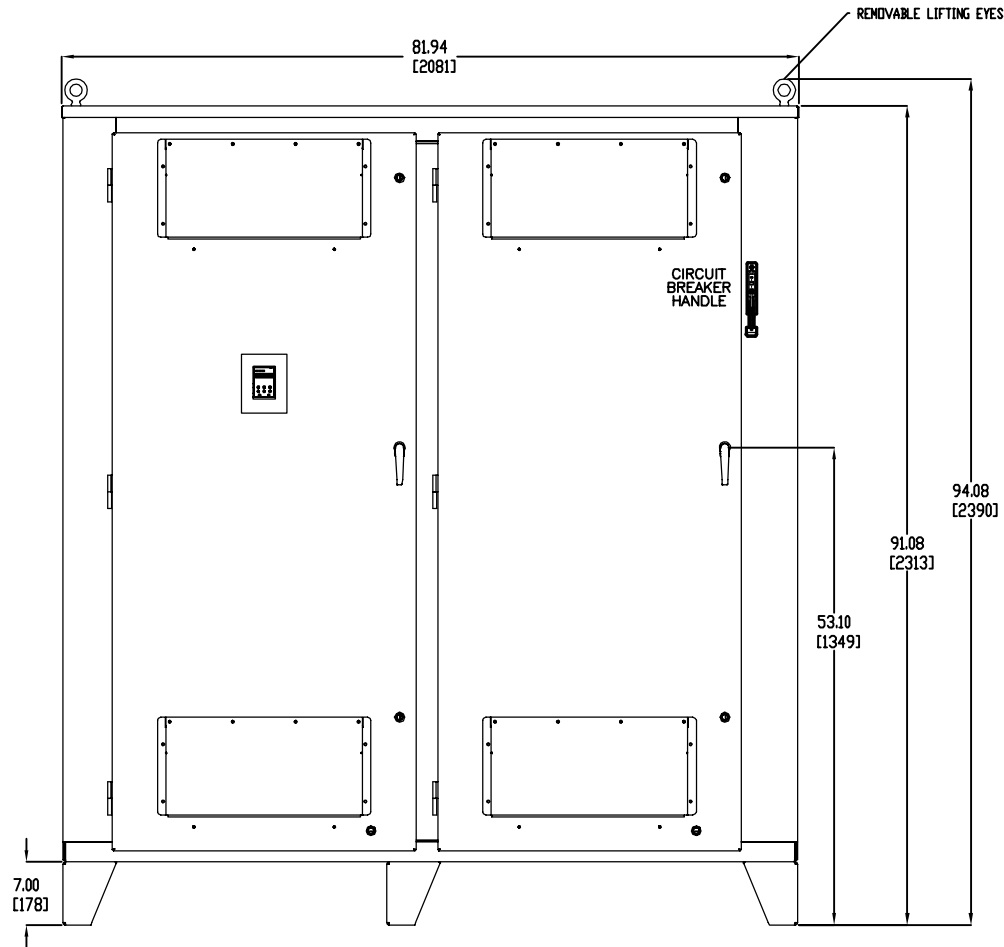
A
B
C
D
E
F
G
H
J
K
L
M
N
P
Q
R
S
T
U

A
B
C
D
E
F
G
H
J
K
L
M
N
P
Q
R
S
T
U

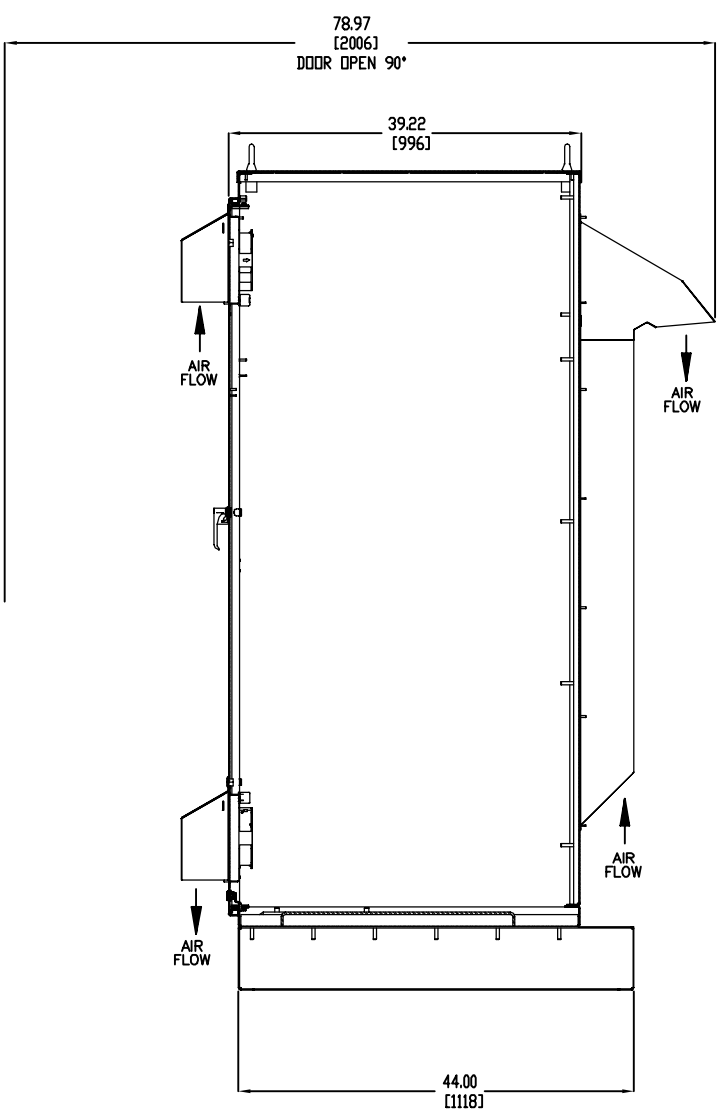
TOP VIEW



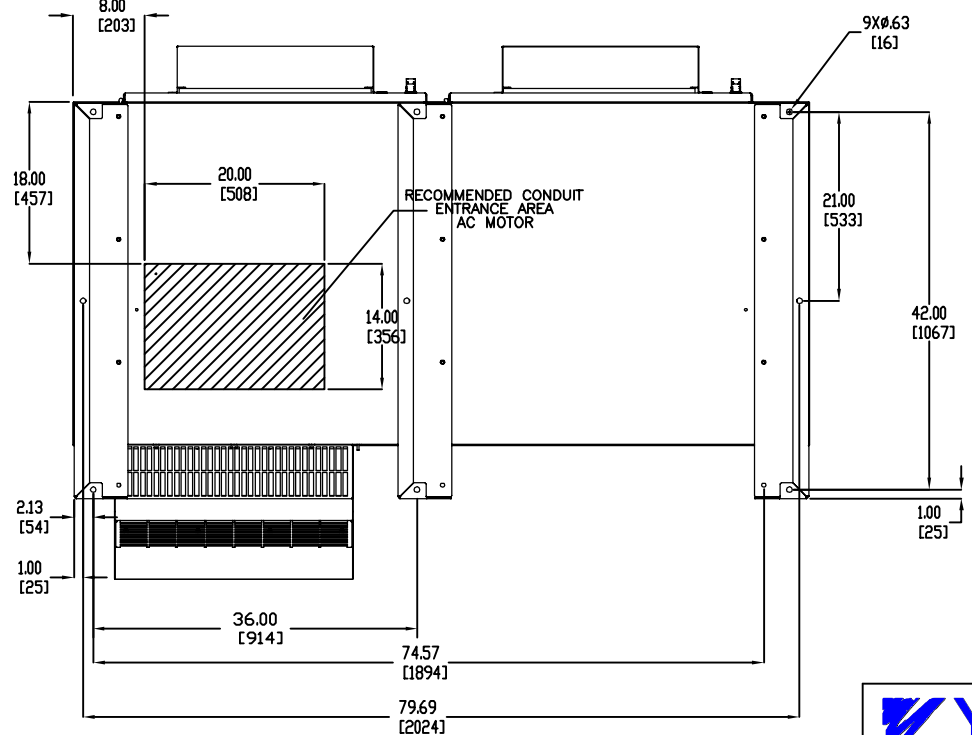
FRONT VIEW



SIDE VIEW



BOTTOM VIEW



		DRAWN BY:	P. STOCKUS	DATE:	12/9/13	TITLE: OUTLINE DIAGRAM TYPE 3R F2A ENCLOSURE
		CHECKED:	D. TUMILSON	DATE:	12/9/13	
THIS DOCUMENT AND INFORMATION CONTAINED IN IT ARE CONFIDENTIAL, AND CANNOT BE COPIED OR DISCLOSED IN WHOLE OR IN PART WITHOUT THE EXPRESS WRITTEN CONSENT OF YASKAWA AMERICA INC.		TECH:		DATE:		SIZE: C REVISION: R01 PAGE: 1 of 1
APPROVED: P. STOCKUS ORIGINAL DESIGN: P. STOCKUS		DATE:	12/9/13	DATE:	12/9/13	DRAWING #:
						Q1C3J477-50

REV.	DESCRIPTION	ECO #	DRAWN BY	DATE
01	CHANGED TO F2A CABINET	5448	NSL	8/11/14
00	INITIAL RELEASE	-	PS	12/9/13

1 2 3 4 5 6 7 8 9 10 11 12 13 14 15 16